

**CONSTANT
POWER®**

DEEP CYCLE AGM TECHNOLOGY

CP12V-330DT BCI GROUP 8D

FEATURES & BENEFITS

- True deep cycle AGM technology-GREEN SOLUTION
- Over 99.99% virgin lead for grid plate and active material
- Heavy duty grid/paste design for deep cycle application
- Maintenance free, non-spillable, valve-regulated
- Double separator configuration: long cycle life & High energy density and super anti-vibration design
- Low self-discharge for longer shelf life



ELECTRICAL SPECIFICATIONS

Voltage(V)	Capacity (AH)					Reserve Capacity (Min)		
	100HR	20HR	10HR	5HR	3HR	@25A	@56A	@75A
12	355	330	308	280	268	740	/	207

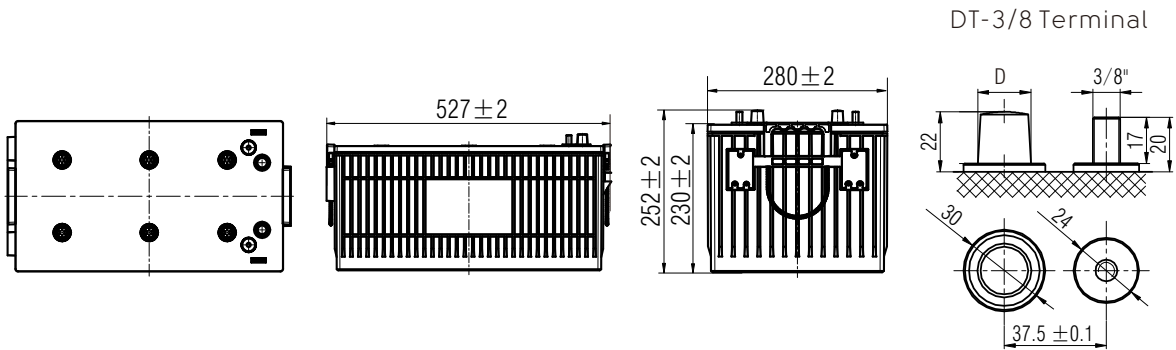
PHYSICAL SPECIFICATIONS

Model	Dimensions (mm/inches)				Weight (kg/lbs)	Terminal Type (Standard)	Case Material
	Length	Width	Height	Total Height			
CP12V-330DT	527 (20.75)	280 (11.02)	230 (9.06)	252 (9.92)	86.0 (189.6)	DT-3/8	PP

Operating Temperature Range		
Discharge	Charge	Storage
-15°C~50°C(5°F~122°F)	0°C~40°C(32°F~104°F)	-15°C~40°C(5°F~104°F)

AGMCP12V-330DT

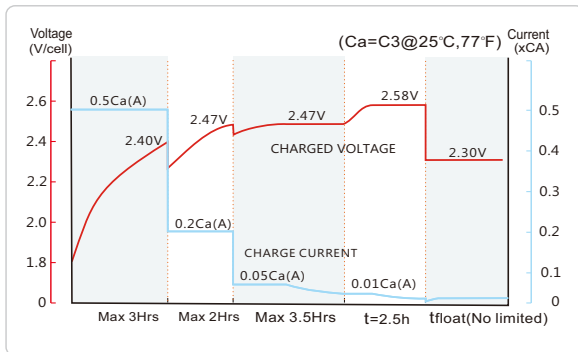
DIMENSIONS



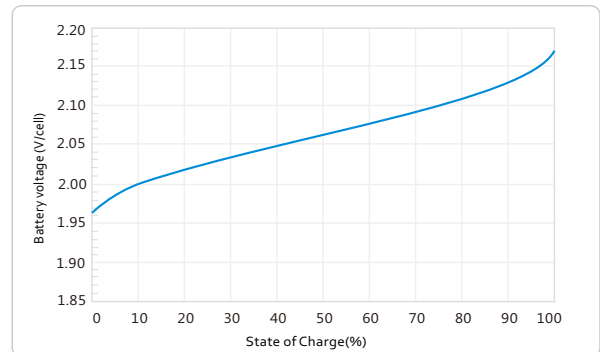
Note: D:Positive $19.5_{-0.3}^0$, D:Negative $17.9_{-0.3}^0$; Terminal Torque Values in-lb(Nm) : 176-203(20-23)

PERFORMANCE CHARACTERISTICS

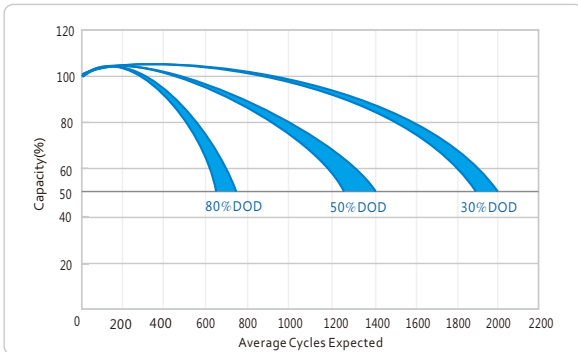
CONSTANT POWER AGM Charging Profile



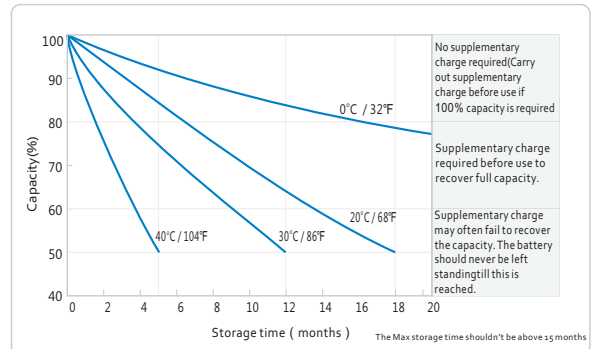
Relationship of OCV and State Of Charge (25°C, 77°F)



Cycle life in relation to Depth Of Discharge



Self-discharge Characteristic



EAST COAST BATTERY:

100 SW 17th Street
Ft. Lauderdale, FL 33315
Ph: 954-522-2403

www.eastcoastbattery.com

DEEP CYCLE AGM BATTERY