

**NEW**

### XT-Series Alternators

Designed for Recreational Applications

- 170A or 250A in a Small Case Package
- Up to 180A at Idle Speeds
- Patented Smart Ready® Technology
- Dual Fan Cooling, High Airflow Frame
- Ideal for Lithium Battery Banks
- USCG Title 33, ISO 8846 and SAE J1171 Certified



170A  
XT-Series



250A  
XT-Series

**New XT-Series Alternators** from Balmar bring together the latest innovations in alternator design to deliver incredible charging power in a compact, Marine & RV-friendly package.



Advanced Braided Stator

The **New XT-Series Alternator** family features a state-of-the-art, braided wire stator design to generate exceptional output in the smallest possible area. The XT-Series produces more power than our previous AT-Series designs and operates 5°-10°C cooler. In addition, we've added Balmar's Smart Ready® internal regulator technology to provide an additional level of fault tolerance for cruising boaters. Available XT-Series mounting styles have been expanded to include the "Vortec" 9Si design found on many GM gasoline engines.

**XT-Series Alternators** feature 96 slots - compared to 36 slots in a traditional S-wound stator – allowing the stator to develop superior electromagnetic energy and efficiency compared to traditional stator designs. The XT-170 and XT-250 are designed to deliver superior performance at idle speeds - up to 128A and 186A, respectively for 12V applications.

**XT-Series Alternators** may require a Tachometer Signal Stabilizer (Part No. 15-TSS) if your current tach is not adjustable. XT-Series Alternators should only be used in Dual Vee or Multi-Groove Serpentine belt configurations. Balmar's range of **AltMount® Serpentine Pulley Conversion Kits** support **XT-Series Alternators**.

XT / AT Series Output	Power Take Off	Mounting	Individual Alternator Part Number <sup>(1)(3)(5)</sup>	Alternator Kit with Max Charge Regulator <sup>(2)(5)</sup>	Altmount® Pulley Kit Required?
170 A	5.2 HP	1-2" Spindle	XT-SF-170-XX	XT-SF-170-XX-KIT	Yes, If DV or Serpentine is Not Present
		3.15" Saddle	XT-DF-170-XX <sup>(4)(5)(6)</sup>	XT-DF-170-XX-KIT <sup>(4)(5)(6)</sup>	
		Vortec	XT-VT-170-K6	XT-VT-170-K6-KIT	
250 A	6.0 HP	1-2" Spindle	XT-SF-250-XX	XT-SF-250-XX-KIT	
		3.15" Saddle	XT-DF-250-XX	XT-DF-250-XX-KIT <sup>(4)</sup>	
		4" Saddle	XT-DF4-250-XX	XT-DF4-250-XX-KIT	
		Vortec	XT-VT-250-K6	XT-VT-250-K6-KIT	
90A, 24V	5.2HP	1-2" Spindle	XT-SF-24-90-XX	XT-SF-24-90-XX-KIT	
		3.15" Saddle	XT-DF-24-90-XX <sup>(4)(5)(6)</sup>	XT-DF-24-90-XX-KIT <sup>(4)(5)(6)</sup>	
		Vortec	XT-VT-24-90-K6	XT-VT-24-90-K6-KIT	

(1) "XX" Pulley Designations: "DV" = 1/2" Dual Vee, "K6" = K6 Serpentine, "J10" = J10 Serpentine.

(2) Kit Includes XT-Series Alternator, Max Charge Regulator (MC-618-H) and Temperature Sensors (MC-TS-A, MC-TS-B).

(3) The XT-Series Alternator may require a Tachometer Signal Stabilizer (Part No. 15-TSS) if your current tach is not adjustable.

(4) All Dual Foot Yanmar Kits include 6-0020 Mounting Kit.

(5) Yanmar Common Rail and newer Volvo engines require the 61-0050 K6 pulley.

(6) Yanmar 3YM engines require alternator part number XT-DF-170-XX-3YM

**How to Select the Correct Balmar Charging System for Your Vessel**

**Step 1: Determine your Electrical Load**

All your device loads and expected duty cycles will clarify your expected daily battery discharge requirements. Add a safety factor.

**Step 2: Identify your Battery Bank Technology and Capacity**

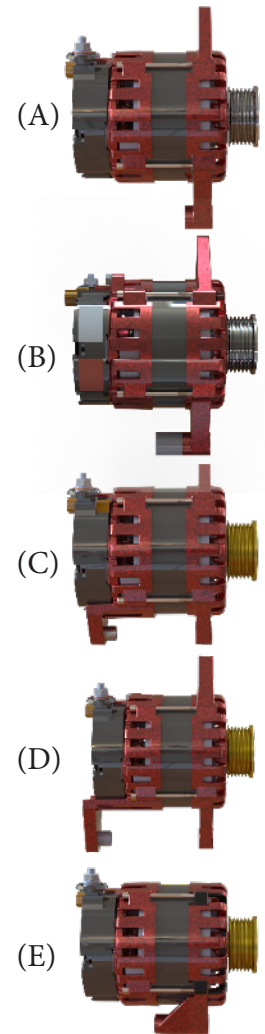
How many batteries are in your bank and what is the total storage capacity?  
 What type of batter chemistries are employed? (requiring different charge programs)

**Step 3: Select your Alternator Output**

The correct charging load depends on the battery chemistry and capacity.  
 An AGM battery can accept a 40% charge load, so a 400Ah bank of AGMs can accept 160A of charging from the alternator. Note: Lithium batteries can accept an unlimited charge load.

**Step 4: Identify the Alternator Mounting Style Present on your Engine**

The most common mounting styles are shown to the right:		
(A) 1" Single Foot (Spindle Mount)	"Motorola Style"	Balmar XT-SF Series
(B) 2" Single Foot (Spindle Mount)	"Delco Style"	Balmar XT-SF Series
(C) 3.15" Dual Foot (Saddle Mount)	"Hitachi Style"	Balmar XT-DF Series
(D) 4" Dual Foot (Saddle Mount)	"J-180 Style"	Balmar XT-DF4 Series
(E) GM Delco Vortec Mount	"Vortec Style"	Balmar XT-VT Series



**Step 5: Determine your Belt and Pulley Requirements**

An Altmount<sup>®</sup> belt/pulley conversion kit may be required to handle your alternator Power Take-Off ("PTO") load.

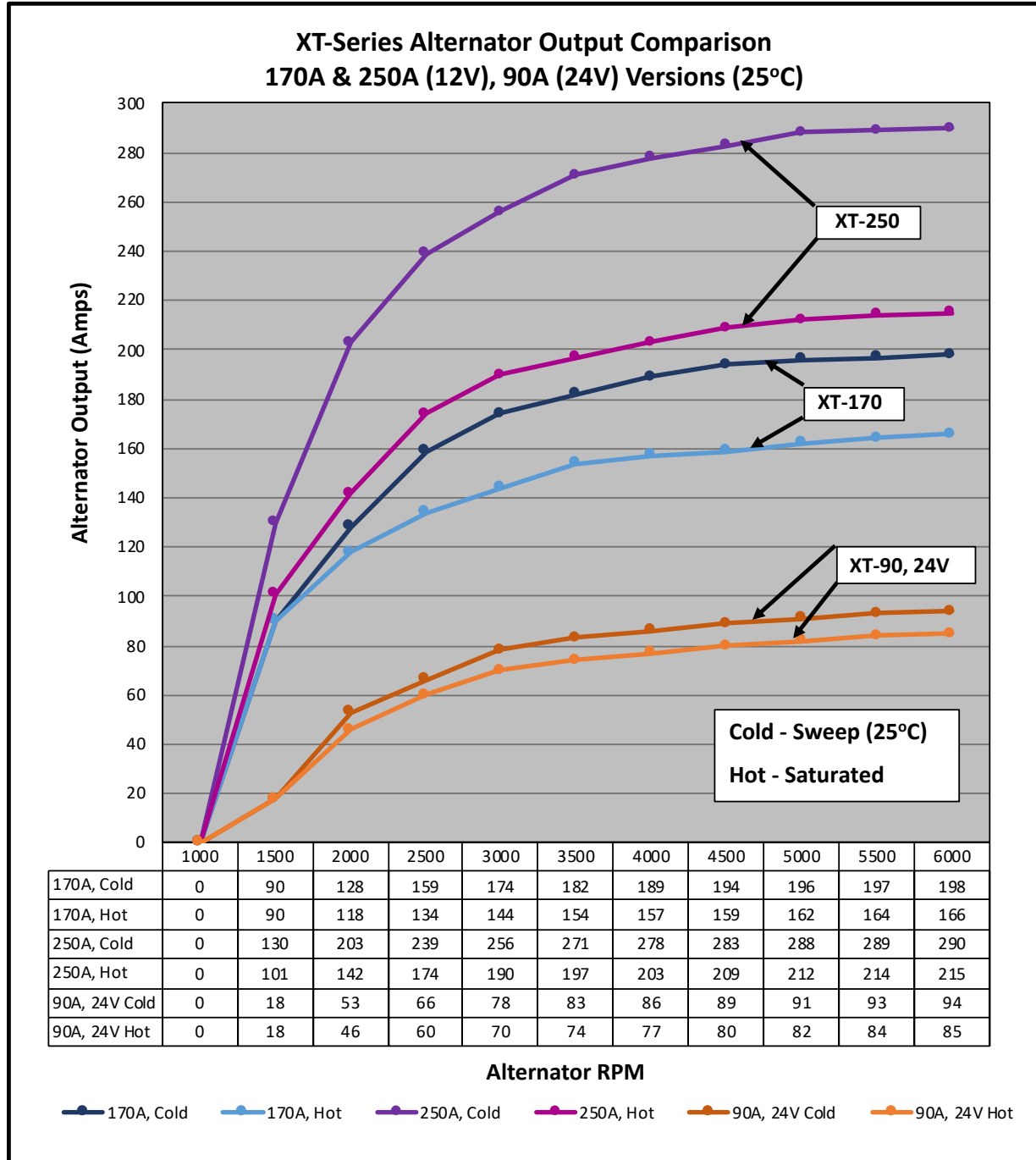
Detailed toolsets for calculating loads and selecting the appropriate charging system for your vessel are available in the Balmar Catalog or at [www.balmar.net](http://www.balmar.net)

**XT-Series Alternator Specifications**

<b>Alternator Style:</b> Small Case, Positive Field Excitation (P-Type)	<b>Mounting Styles:</b> XT-VT Series: Delco Vortec Style XT-SF Series: 1" or 2" Single Foot (Spindle) XT-DF Series: 3.15" Dual Foot (Saddle) XT-DF4 Series: 4" Dual Foot (Saddle)(XT-250 Only)
<b>Regulation:</b> External P-Type (MC-618) XT-Series Includes an Internal Smart Ready <sup>®</sup> Voltage Regulator	
<b>Cooling:</b> Dual Internal Fans	<b>Positive Output:</b> Threaded Stud Dimensions: XT-170 & XT-250: M8 x 1.25
<b>Bearings:</b> Sealed Bearings, Heavy Duty Radial (front & rear)	<b>Grounding:</b> Case Ground XT-170 Isolated Ground Available on Request
<b>Case Construction:</b> Ventilated Cast Aluminum	<b>AC/Stator Output:</b> 16 Poles Stator Output Wire included in Pigtail Plug
<b>Finish:</b> Red Power Coat	<b>Diodes +/-:</b> 6 Positive, 6 Negative; 50A Rated
<b>Tensioning Arm Mount:</b> XT-250 (not applicable) XT-170: Five Position Crown (3x: M8 x 1.25, 2x: 8mm)	<b>Smart Ready<sup>®</sup> Internal Voltage Regulation:</b> 14.1 Volts (12V Systems)
<b>Mounting Foot Bore:</b> XT-VT, DF, SF 2"-Series: 10mm (3/8") XT-SF 1", DF4-Series: 1/2"	<b>Cut-In RPM:</b> 170A: 1,150 rpm, 90A & 250A: 1,350 rpm Max Alternator RPM: 18,000 rpm
<b>Ignition Protection Ratings:</b> USCG Title 33, SAE J1171, CE, ISO 8846	<b>Normal Operating Temperature:</b> 180°F / 82°C Max Operating Temperature: 225°F / 108°C

## Alternator Output Curves

Alternator output is dependent upon several factors: battery condition and capacity, wire size, engine horsepower and RPM, battery temperature and alternator temperature. Of these factors, alternator speed and temperature are most important. The following graph describes alternator output based on ambient (25°C) temperature in “sweep” and “saturated dwell” conditions. Test voltages are set at 13.5V.

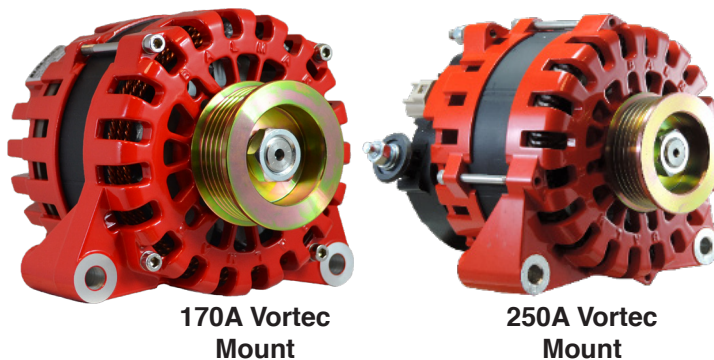


Balmar XT-Series Alternators and Charging Kits provide maximum charging power in a small case package suitable for installation in most small-to-medium sized diesel engines and most GM-based 4.3L to 8.1L gasoline engines.

Utilize the Balmar product configurator at [www.balmar.net](http://www.balmar.net) to locate a solution for your engine.

**XT-Series Alternators**  
**For WakeBoat and Inboard Gas Applications**

- 170A & 250A in a Small Case Package
- Up to 180A at Idle Speeds
- Ideal for WakeBoat Electrical Loads
- Custom High-Speed Bearings for Long Life
- Dual Fan Cooling, High Airflow Frame
- USCG Title 33, ISO 8846 and SAE J1171 Certified



**XT-Series Alternators** were designed with WakeBoat applications specifically in mind. Over 60% of WakeBoat run times are at idle speed. Many high current electrical loads are engaged at idle, including ballast pumps, high-output stereo systems and multiple instrumentation loads. Standard alternators only produce about 30A-40A at idle speed, leaving these loads to be serviced by onboard batteries. Excessive draining causes battery sulfation and reduced lifetimes. Dealers report that AGM batteries which should last 5-7 years on these vessels are being replaced annually.

**XT-170 and XT-250 Alternators** produce over 120A and 180A, respectively at idle speed – ample power to service all electrical loads with power left over to top-off house batteries.

**XT-Series Alternators** pay for themselves in reduced battery replacement costs in just one year!

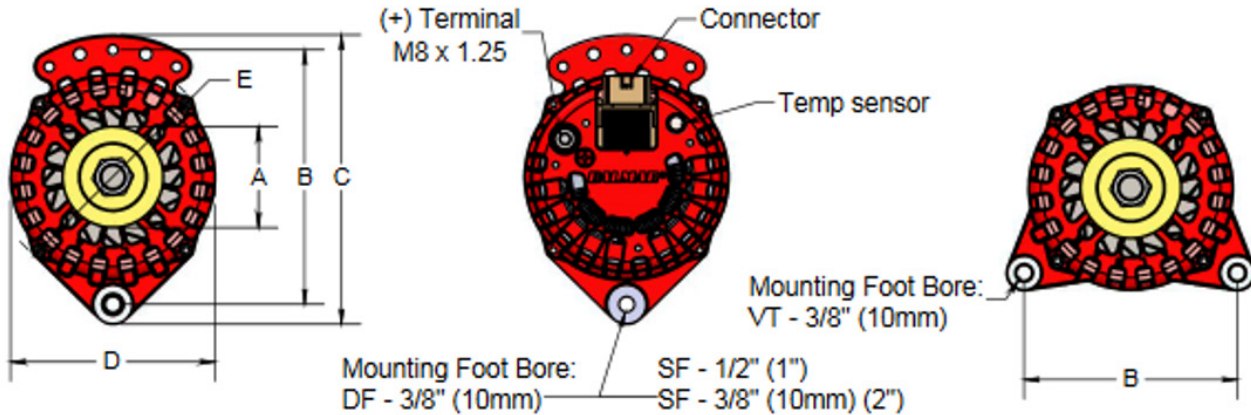
Available XT-Series mounting styles are drop-in compatible for WakeBoat and other GM Gasoline engine applications and include both 2" Single Foot (Delco 11Si Style) and Vortec (Delco 9Si Style) designs.

**Ordering Information:**

XT-Series Output	Power Take Off	Mounting	Alternator Part Number <sup>(1)</sup>	Standard Pulley
170 A	5.2 HP	1-2" Single Foot (Case Grd)	XT-SF-170-IR	K6 (2.4" dia.)
		1-2" Single Foot (Iso Grd)	XT-SF-170-IR-IG	
		Vortec (Case Grd)	XT-VT-170-IR	
		Vortec (Iso Grd)	XT-VT-170-IR-IG	
250A	6.0 HP	Vortec (Case Grd)	XT-SF-250-IR	
		Vortec (Case Grd)	XT-VT-250-IR	

<sup>(1)</sup> These Alternators contain single stage, internal regulators and are not appropriate for use with Balmar's multi-stage external regulators. Contact Balmar Tech Service for more details.

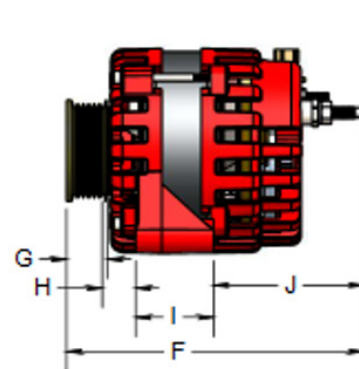
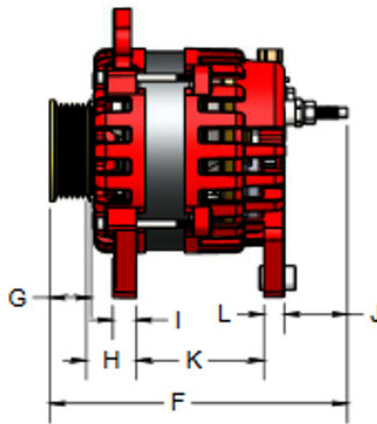
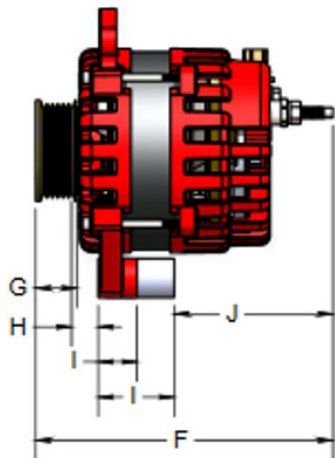
**XT-170 Series Alternator Dimensions**



XT-SF-170-XX

XT-DF-170-XX

XT-VT-170-K6

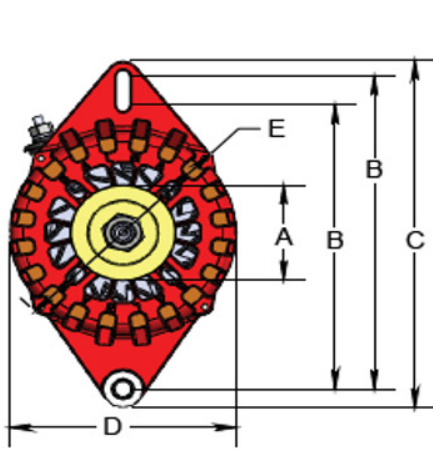


ITEM	DESCRIPTION	IN.	mm
A	Dual Vee (DV) Pulley Dia.	2.71	68
	K6 (serpentine) Pulley Dia.	2.42	61
	J10 (serpentine) Pulley Dia.	2.28	57
B	Mounting Hole (VT)	5.47	138
	Mounting Hole (SF)	6.53	165
C	Overall Height	7.43	188
D	Case Diameter	5.26	134
E	Mounting Ear to Mounting Ear	5.70	144
F	Overall Length w/ DV Pulley	8.00	203
	Overall Length w/ K6 Pulley	7.63	193
	Overall Length w/ J10 Pulley	7.86	99
G	DV Pulley Width	1.53	38
	K6 Pulley Width	1.18	29
	J10 Pulley Width	1.40	35

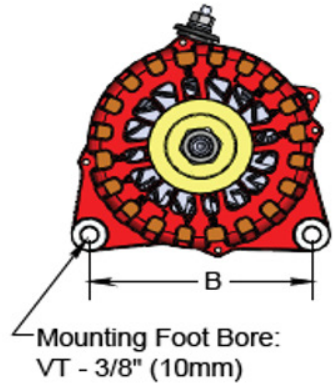
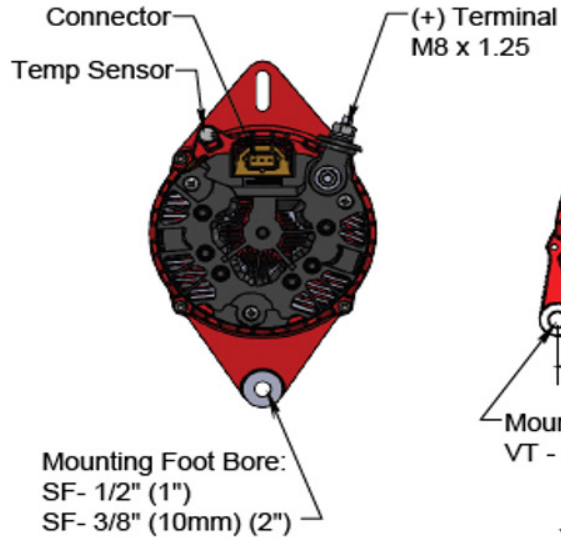
ITEM	DESCRIPTION	IN.	mm
H	First Groove to Mounting (SF)	0.68	17
	First Groove to Mounting (DF)	1.28	32
	First Groove to Mounting (VT)	0.85	21
I	Foot Thickness (SF) 1"	1.00	25
	Foot Thickness (SF) 2"	1.95	49
	Foot Thickness (DF)	0.60	15
	Foot Thickness (VT)	2.00	50
J	Foot to (+) Terminal (SF) 1"	5.03	127
	Foot to (+) Terminal (SF) 2"	4.08	103
	Foot to (+) Terminal (DF)	1.61	40
	Foot to (+) Terminal (VT)	3.86	98
K	DF Saddle Width (MIN)	2.88	73
	DF Saddle Width (MAX)	3.28	83
	DF Saddle Width	3.15	80
L	Rear Foot Thickness	0.52	13

Dimensions are provided for illustrative purposes. Contact Balmar Technical Support if detailed drawings are required.

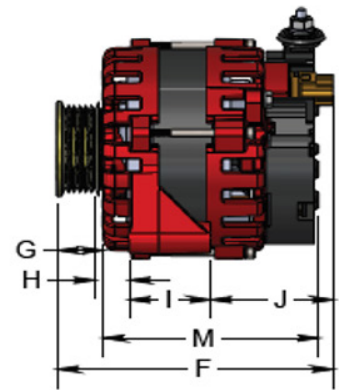
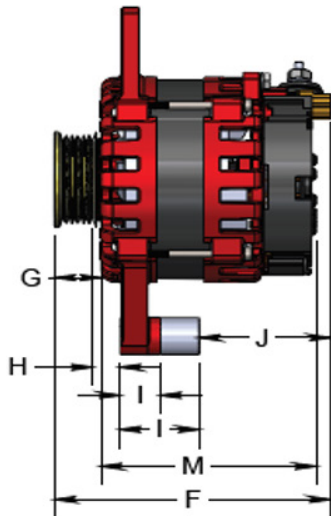
**XT-250 Series Alternator Dimensions – Single Foot and Vortec Mounts**



XT-SF-250-XX



XT-VT-250-XX

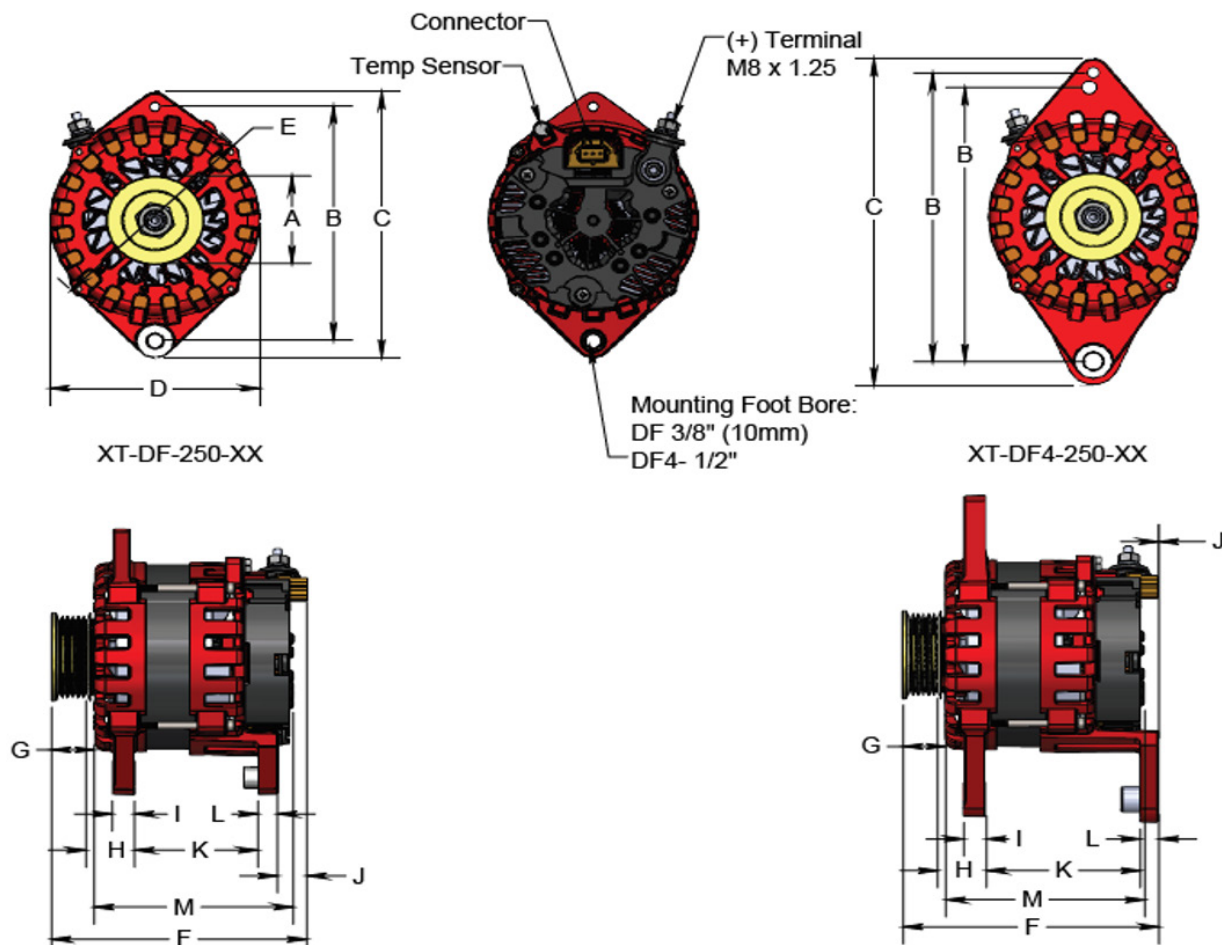


ITEM	DESCRIPTION	IN.	mm
A	Dual Vee (DV) Pulley Dia.	2.71	68
	K6 (serpentine) Pulley Dia.	2.42	61
	J10 (serpentine) Pulley Dia.	2.28	57
B	Mounting Hole to Hole (VT)	5.47	138
	Mounting Hole to Hole (SF Upper Slot)	8.50	216
	Mounting Hole to Hole (SF Lower Slot)	7.72	196
C	Overall Height (SF)	9.44	240
D	Case Diameter	5.59	142
E	Mounting Ear to Mounting Ear	6.10	154
F	Overall Length w/ DV Pulley	7.15	181
	Overall Length w/ K6 Pulley	6.80	172
	Overall Length w/ J10 Pulley	7.02	178

ITEM	DESCRIPTION	IN.	mm
G	DV Pulley Width	1.53	38
	K6 Pulley Width	1.18	29
	J10 Pulley Width	1.40	35
H	First Groove to Mounting (SF K6)	0.68	17
	First Groove to Mounting (SF J10)	0.75	18
	First Groove to Mounting (SF K6)	0.85	21
I	Foot Thickness (SF) 1"	1.00	25
	Foot Thickness (SF) 2"	1.95	49
	Foot Thickness (VT)	2.00	50
J	Foot Connector (SF) 1"	4.19	106
	Foot Connector (SF) 2"	3.24	82
K	Foot Connector (VT)	3.02	76
M	Front Housing to Rear Cover	5.30	134

Dimensions are provided for illustrative purposes. Contact Balmar Technical Support if detailed drawings are required.

**XT-250 Series Alternator Dimensions – Dual Foot Mounts**



ITEM	DESCRIPTION	IN.	mm
A	Dual Vee (DV) Pulley Dia.	2.71	68
	K6 (serpentine) Pulley Dia.	2.72	61
	J10 (Serpentine) Pulley Dia.	2.28	57
B	Mounting Hole to Hole (DF)	6.88	175
	Mounting Hole to Hole (DF4 Upper)	8.50	216
	Mounting Hole to Hole (DF4)	8.07	205
C	Overall Height (DF)	7.81	198
	Overall Height (DF4)	9.61	244
D	Case Diameter	5.59	142
E	Mounting Ear to Mounting Ear	6.10	154
F	Overall Length w/ DV Pulley	7.15	181
	Overall Length w/ DV Pulley (DF4)	7.17	182
	Overall Length w/ K6 Pulley	6.80	172
	Overall Length w/ K6 Pulley (DF4)	6.81	173
	Overall Length w/ J10 Pulley	7.02	178
G	DV Pulley Width	1.53	38
	K6 Pulley Width	1.18	29
	J10 Pulley Width	1.40	35

ITEM	DESCRIPTION	IN.	mm
H	First Groove to Mounting (DF K6)	1.29	32
	First Groove to Mounting (DF J10)	1.36	34
	First Groove to Mounting (DF DV)	1.58	40
	First Groove to Mounting (DF4 K6)	1.29	32
	First Groove to Mounting (DF4 DV)	1.58	40
I	Foot Thickness (DF)	0.60	15
	Foot Thickness (DF4)	0.60	15
J	Foot Connector (DF)	0.78	19
	Foot Connector( DF4)	-0.02	-0.5
K	DF Saddle Width (MIN)	2.88	73
	DF Saddle Width (MAX)	3.28	83
	DF Saddle Width	3.15	80
	DF4 Saddle Width (MIN)	3.60	91
	DF4 Saddle Width (MAX)	4.10	104
L	DF4 Saddle Width	4.00	101
	Rear Foot Thickness (DF)	0.52	13
L	Rear Foot Thickness (DF4)	0.50	12
	M	Front Housing to Rear Cover	5.30

Dimensions are provided for illustrative purposes. Contact Balmar Technical Support if detailed drawings are required.

# BALMAR®

WWW.BALMAR.NET

## DC CHARGING SOLUTIONS

## Balmar Knows How To Charge Your Batteries



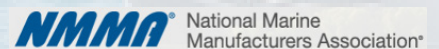
Balmar LLC  
15201 39th Avenue NE  
Marysville, WA 98271  
USA  
+1 (360) 435-6100  
www.balmar.net



CDI Electronics LLC  
353 James Record Road SW  
Huntsville, AL 35824  
USA  
+1 (256) 772-3829  
www.cdielelectronics.com



CDI Electronics designs and manufactures ignition components for outboard motors and diagnostic software for most Marine Engines. CDI enjoys relationships with 70 distribution partners around the world. To Find a CDI distribution partner, **visit [www.cdielelectronics.com](http://www.cdielelectronics.com)**.



**Both Balmar and CDI Products are manufactured in our ISO 9001-Certified Factory in Huntsville, Alabama.**



Please read carefully. All policies, procedures and instructions are subject to change. This guide was prepared to provide information and does not constitute a contract. Balmar reserves the right, without prior notice, to change, delete, supplement, or otherwise amend at any time the information and policies contained in this guide.



For the most recent information about Balmar's products, policies and instructions please visit, **[www.balmar.net](http://www.balmar.net)**.

© 2021 Balmar LLC